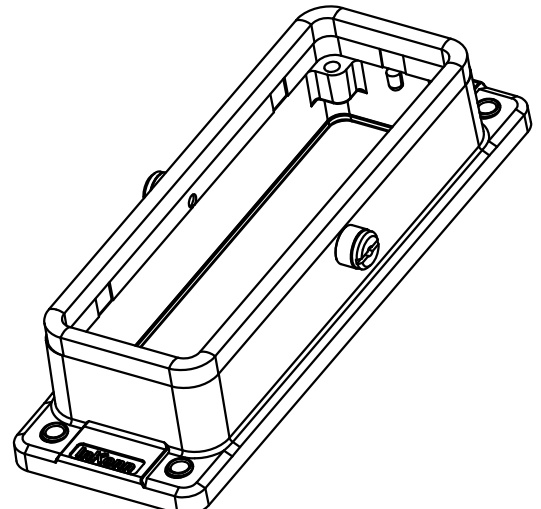



Panel cut out



 InKonn (Suzhou) Electric Technology Co.,Ltd.	All Dimensions in mm Original Size DIN A4	Date 2020-05-12	Drawing No. TC0536785	Rev. A00	Scale 1:1
	Part No. 10 12 024 0530	Created by Shuxu Huang	Checked by Yiyi Luo	Page 1/1	
Type Name HMB24-BM-CR					